

### Main Features

- Low profile dual port PCIe network adapter card with Intel 82574L Chipset
- Provides fully compliant 10/100/1000 RJ-45 Ethernet port through single PCIe slot
- Form Factor: PCI Express Mini card
- Support Wake-on-Lan and PXE network boot support
- Compliant with IEEE802.3, IEEE802.3u, IEEE802.3ab

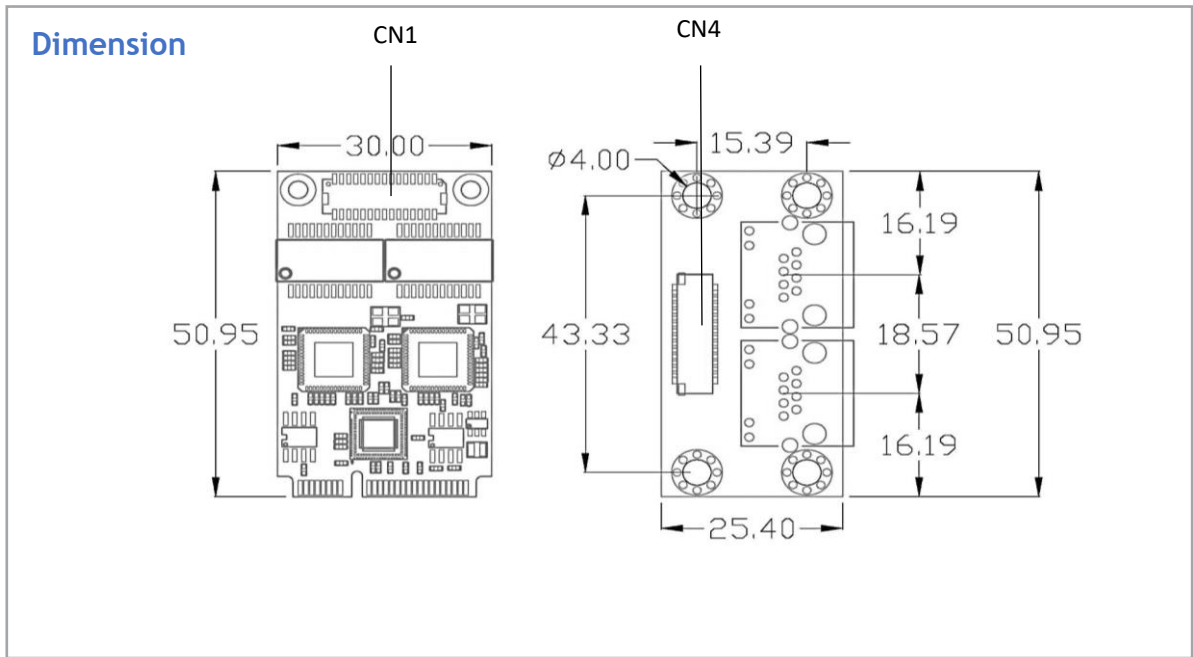
### Product Overview

The PEL874SB Mini PCI Express Gigabit Network Adapter Card adds 1000Mbps network connectivity to a Mini PCI Express (PCI Express Mini Card, Mini PCIe) enabled computer system, such as Mini-ITX motherboards or Fanless System.

PEL874SB flexible design is perfect for small form factor or embedded systems that originally lack Gigabit networking capability, or for adding a network connection without taking up a full-sized PCI Express slots, this high quality Mini PCIe Network Adapter includes a low profile/half-height bracket for additional installation options.

### Specifications

Chipset	Intel 82574L Gigabit Controller
Form Factor	Mini-PCIe Form Factor
Whole Duplex	Full Duplex Flow Control
Network Interface Type	RJ-45 Copper connector board with cable
Transmission Speed	10/100/1000Mbps
Functions	Support WOL, PXE and Teaming Functions
Power supply	On board 3.3V
Dimension	LAN Module Dimension : 50.95 x 30(mm) RJ45 LAN Adapter Dimension : 50.95 x 25.4(mm)
Compatible Operating System	Windows 7
	Windows 8.1
	Windows 10
	Windows Server 2008 R2
	Windows Server 2012
	Windows Server 2012 R2
	Windows Server 2008
	Windows Server 2008 R2
Working Temperature	0°C-85°C



## Pin definition

### CN1

Pin	Description	Pin	Description
1	LINK_100	2	LINK_1000
3	MX_A3-	4	MX_A2-
5	MX_A3+	6	MX_A2+
7	MX_A1-	8	MX_A0-
9	MX_A1+	10	MA_A0+
11	VCC3	12	LINK_ACTIVITY
13	NC	14	NC
15	NC	16	NC
17	NC	18	NC
19	LINK2_100	20	LINK2_1000
21	MX2_A3-	22	MX2_A2-
23	MX2_A3+	24	MX2_A2+
25	MX2_A1-	26	MX_A0-
27	MX2_A1+	28	MX_A0+
29	VCC3	30	LINK2_ACTIVITY

### CN4

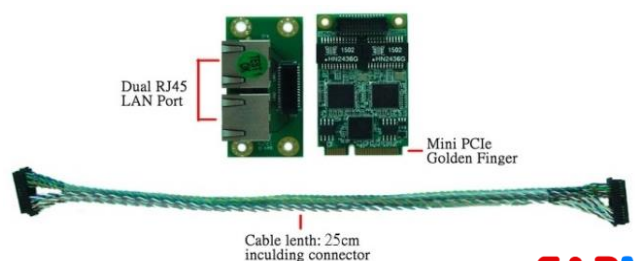
Pin	Description	Pin	Description
1	LINK2_100	2	LINK2_1000
3	MX2_A3-	4	MX2_A2-
5	MX2_A3+	6	MX2_A2+
7	MX2_A1-	8	MX2_A0-
9	MX2_A1+	10	MA2_A0+
11	VCC3	12	LINK2_ACTIVITY
13	NC	14	NC
15	NC	16	NC
17	NC	18	NC
19	LINK_100	20	LINK_1000
21	MX_A3-	22	MX2_A2-
23	MX_A3+	24	MX2_A2+
25	MX_A1-	26	MX_A0-
27	MX_A1+	28	MX_A0+
29	VCC3	30	LINK_ACTIVITY

## Ordering Information

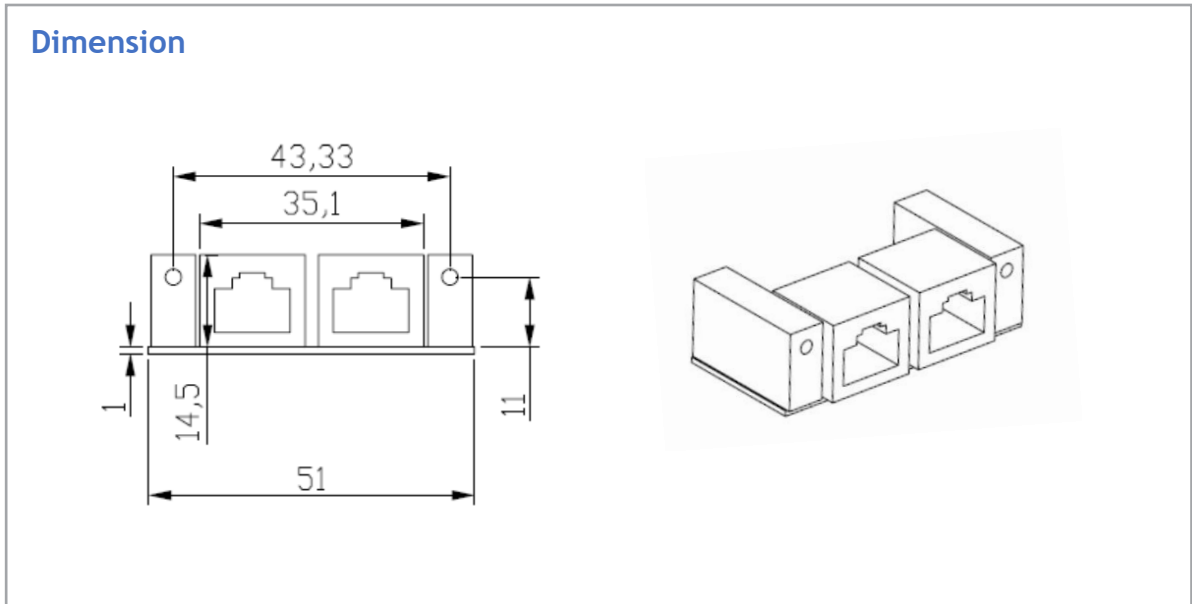
### PEL874SB

- MiniPCIe to Dual port Gb LAN Module
- Two Intel 82574L Controller
- Complies with PXE Specification
- w/ 25cm cable and dual port RJ45

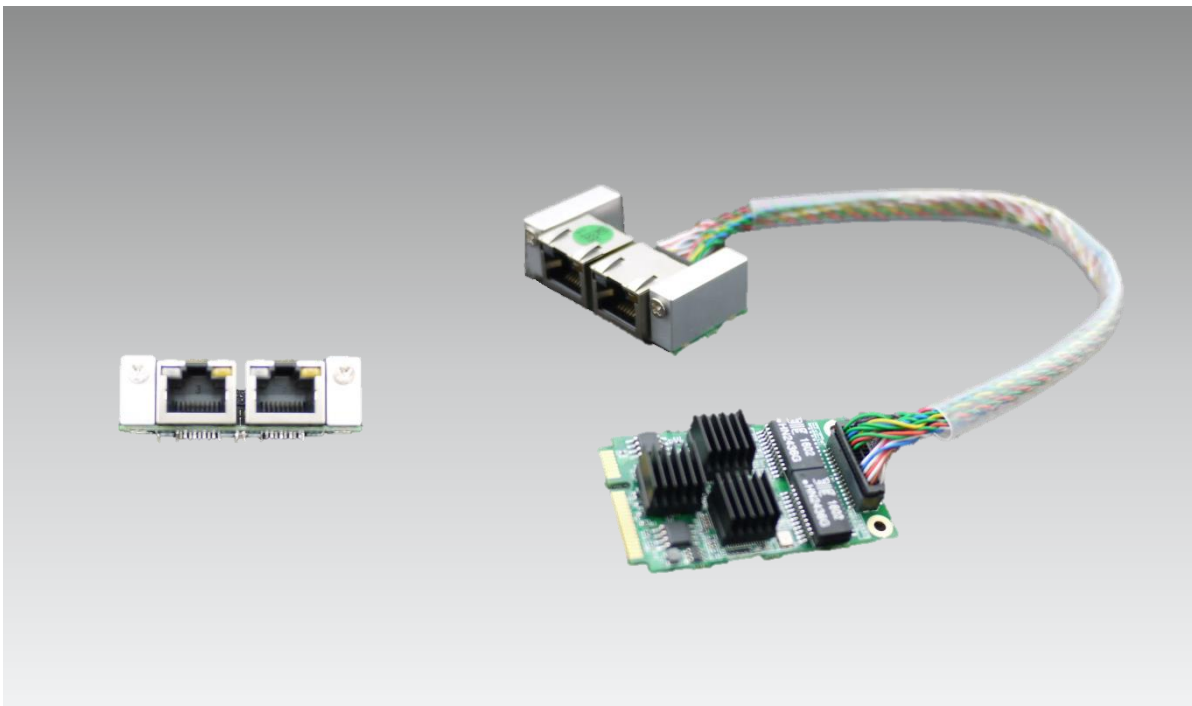
## Front view



## Optional Accessory Kit For PEL series



### Front view



## Ordering Information

### Mounting kit for Embedded System

- 2 brick for Mounting on front panel .
- With 6 Screw .